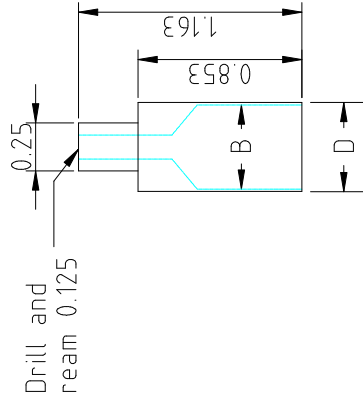
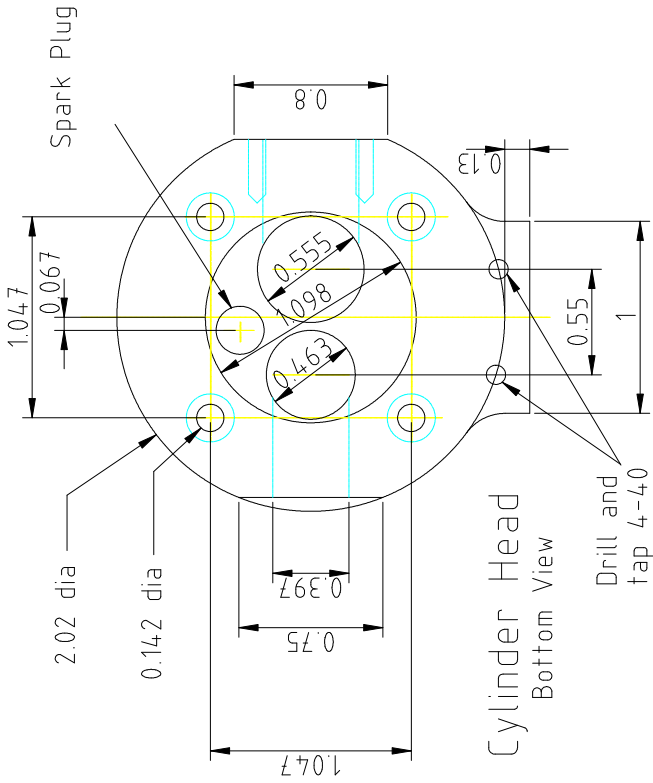


Valve Guide diameter:

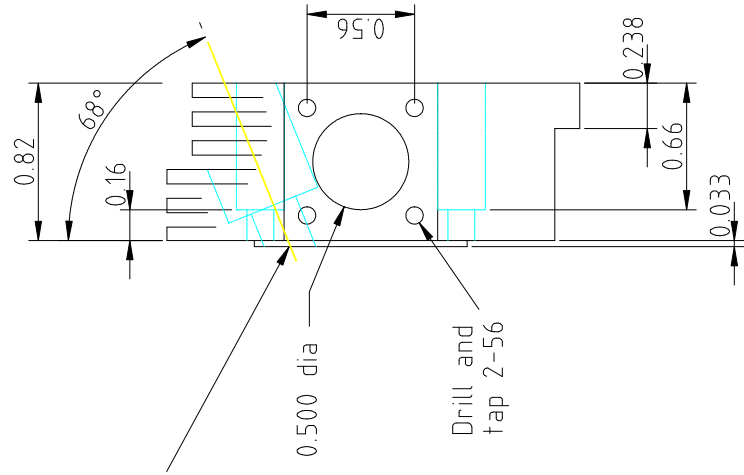
D= Intake 0.555 Bore to 0.500
 Exhaust 0.463 Bore to 0.438



Valve Guide Detail

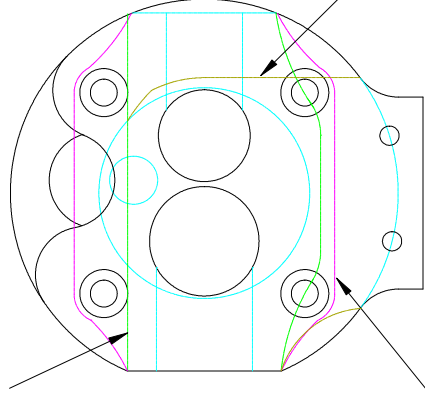


Cylinder Head Bottom View



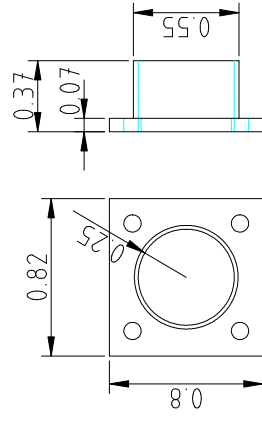
Intake Side View

Depth of cut for cooling fins

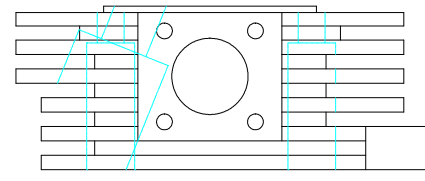


Depth of cut for bottom cooling fin

Top View



Intake Fitting
 Use 1/2" copper pipe for induction pipes.



Exhaust side view showing cooling fins

Cooling Fins omitted for clarity
 Cooling Fins are 0.075 thick and spaced 0.075

NOTE: Make Left and right heads