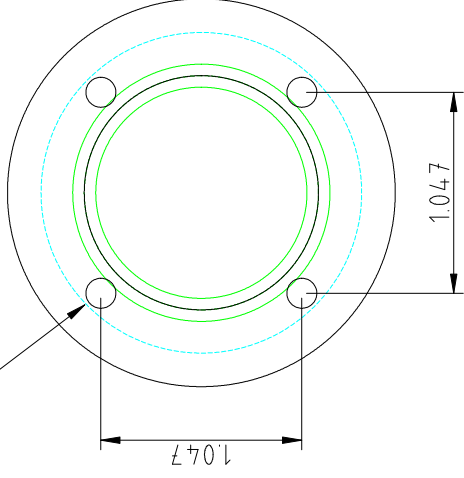


Drill and tap 6-32  
4 places



Top View  
Showing bolt pattern

Cylinder is made from 6061 Aluminum bar  
Cylinder sleeve is made from cast iron

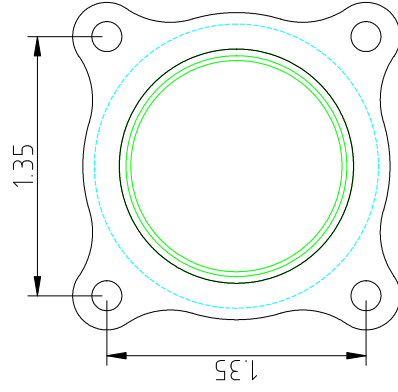
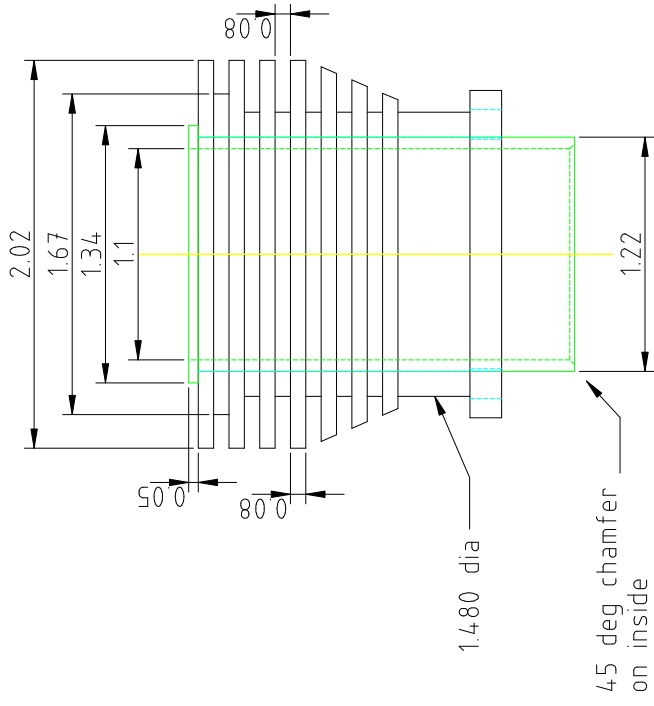
All dimensions are inches unless specified.

**Date :** 18-Jan-2010

**Project** BECO 2.0

**Drawn by:** Glen Bond

**Drawing** Cylinder



Bottom View