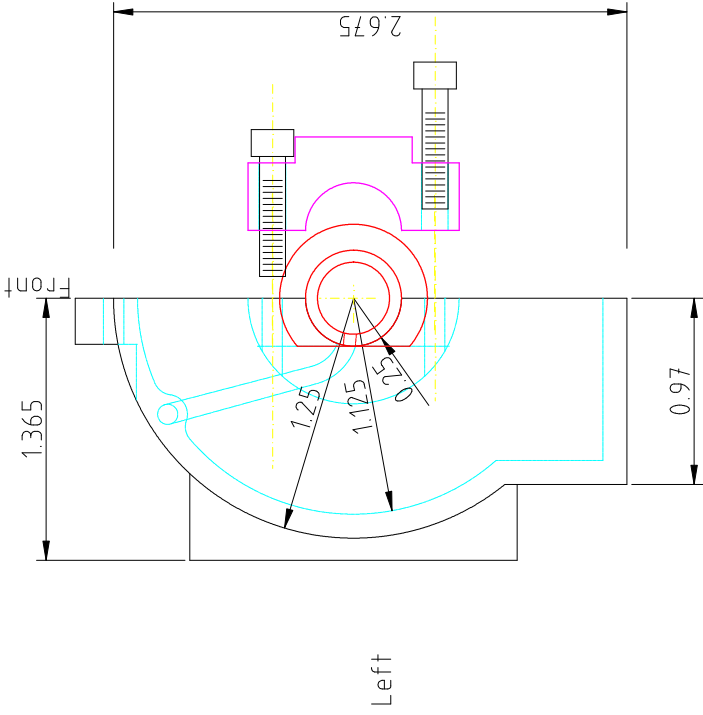
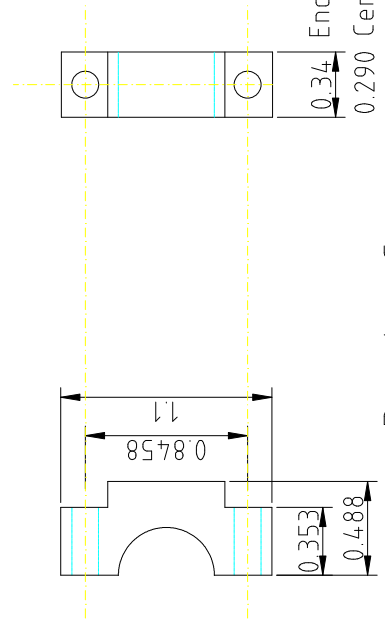
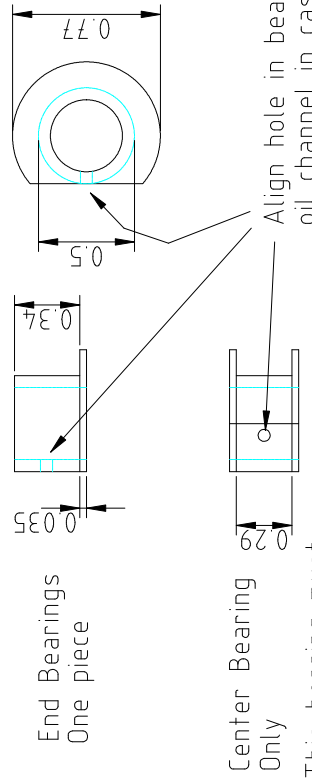
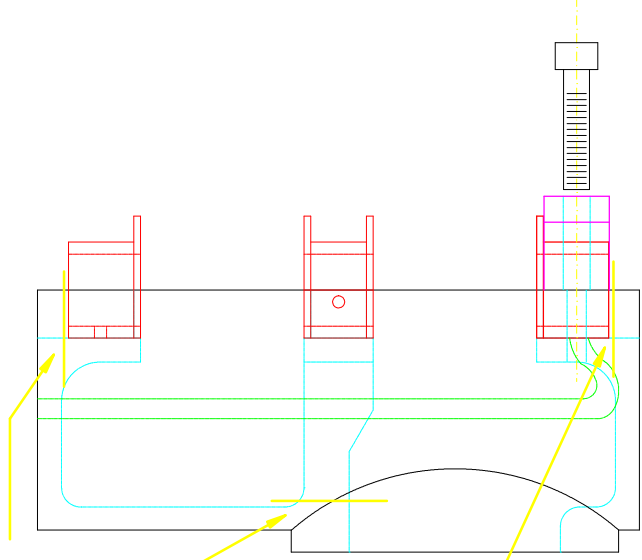


For right side crankcase, cut here.
(Remove bearing supports)



Top View
Left Casting



All dimensions are inches unless specified.

Date : 18-Jan-2010	Project: BECO 2.0
Drawn by: Glen Bond	Drawing: Main Bearing Detail