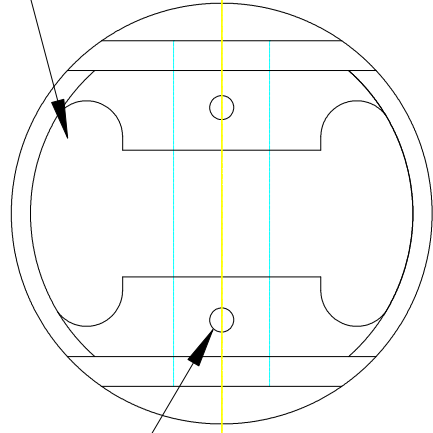
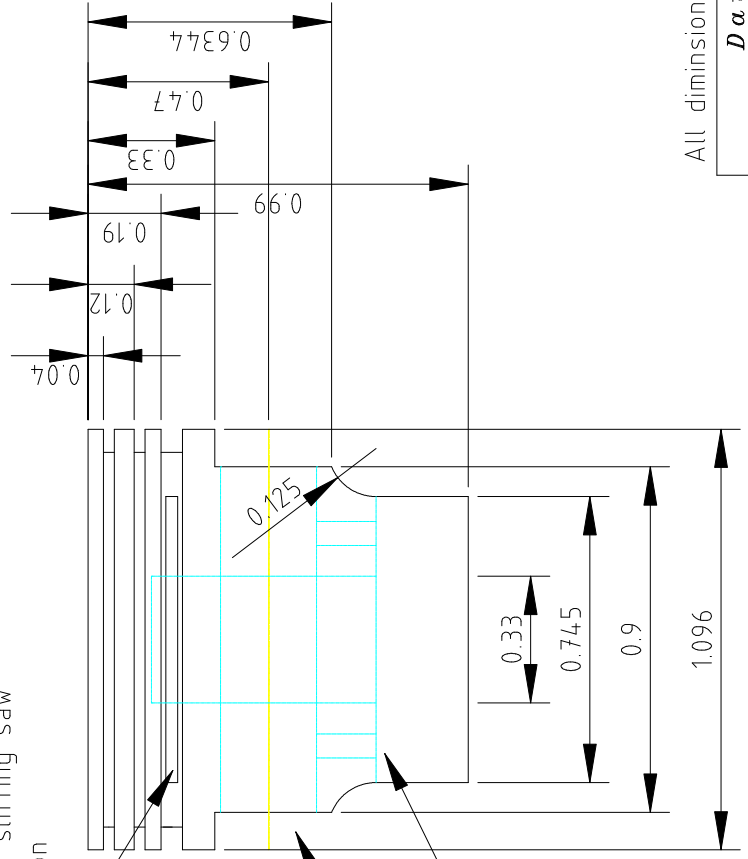


Hollow out with 3/16 end mill



1/32" slot cut with slitting saw
both sides of piston



Shown approx. 2X size

All dimensions are inches unless specified.

Date : 18-Jan-2010	Project BECO 2.0
Drawn by: Glen Bond	Drawing Piston