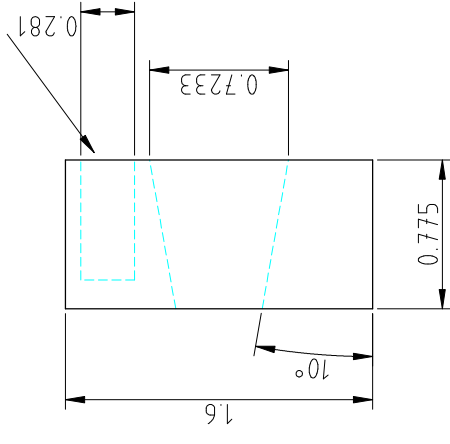


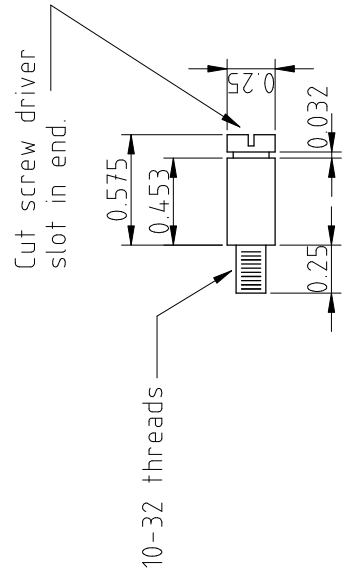
Weight reducing holes  
Showing 1 of 9



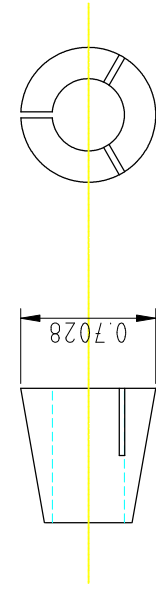
Back Side

Showing weight reducing holes

Propellor Base  
Aluminum



Idler Gear Shaft  
For Cam gear train



Shaft Collet  
Brass

Cut with 1/32 slitting saw  
Cut 1 all the way thru  
Cut the 2 remaining half way thru

All diminsions are inches unless specified.

<b>Date :</b> 18-Jan-2010	<b>Project:</b> BECO 2.0
<b>Drawn by:</b> Glen Bond	<b>Drawing:</b> Propellor Base