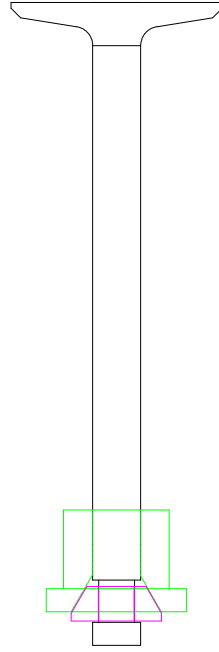
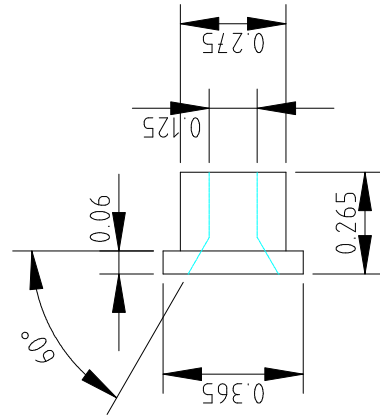


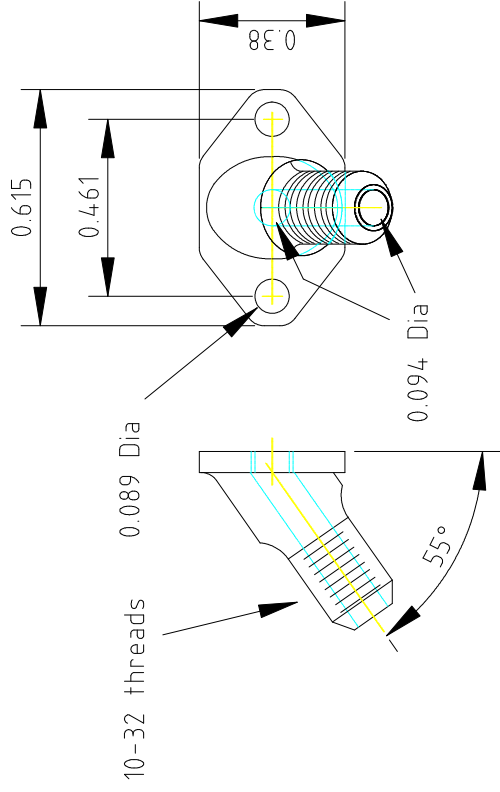
Valve



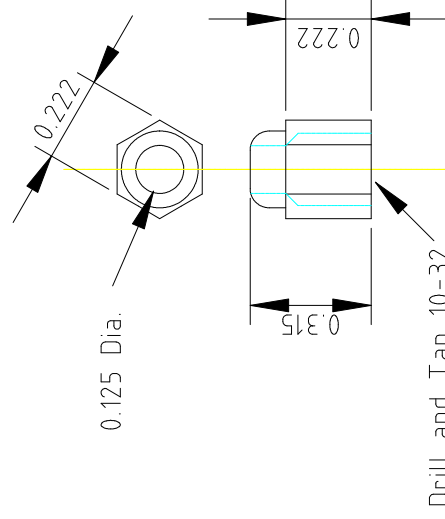
Valve Spring Retainers



Spring Cap



Oil Line Fitting



Drill and Tap 10-32

10-32 screw with hole drilled thru. Used in oil pump.

Use 1/8" brass tubing for oil line. Insert tubing through the nut and flare the end of the tubing.

Oil Line Fitting

All dimensions are inches unless specified.

Date : 18-Jan-2010

Project BECO 2.0

Drawn by: Glen Bond

Drawing Valve and Oil Fitting